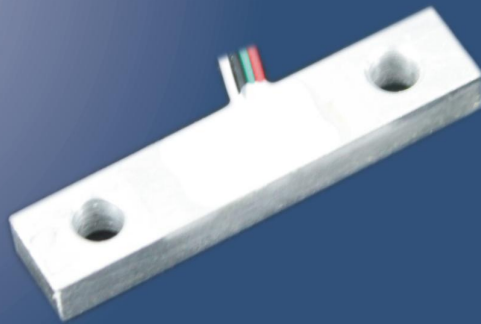


**SZJOINT**Joint Sensor Instruments (H. K.) Ltd.
Joint Sensor Instruments (Shenzhen) Ltd.

FAM-5

平行梁式称重传感器
Parallel Beam Load Cell

材质：铝合金

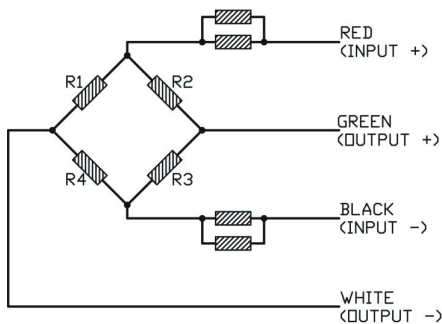
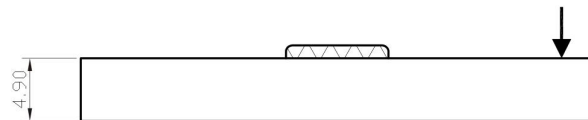
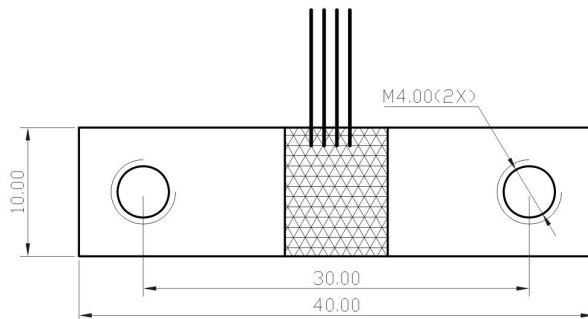
Materials: Aluminum alloy

FAM-5型采用铝合金材质，无色阳极氧化处理，硅胶密封，Ip65。适用于卡片秤、吊秤。

Model FAM-5 is constructed using aluminum alloy material, colorless anodized, silicon rubber seal, Ip65.

Application: Card scale, Hanging scale

主要技术指标 Specifications



| | |
|--|----------------|
| 量程 Capacity | 50KG |
| 综合误差 Comprehensive Error | C1 |
| 输出灵敏度 Output Sensitivity | 1.0±0.1mV/V |
| 非线性 Nonlinearity | ±0.1%F.S |
| 重复性 Repeatability | ±0.1%F.S |
| 滞后性 Hysteresis | ±0.1%F.S |
| 蠕变 Creep | ±0.1%(5min)F.S |
| 零点温度漂移 Temperature effect on Zero | ≤±0.1%F.S/10℃ |
| 额定输出温度漂移 Temperature effect on Output | ≤±0.1%F.S/10℃ |
| 零点输出 Zero Output | ±0.1mV/V |
| 输入电阻 Input resistance | 350±50Ω |
| 输出电阻 Output resistance | 350±50Ω |
| 绝缘电阻 Insulation Resistance | ≥2000MΩ/100VDC |
| 推荐激励电压 Excitation Voltage | 5~10(DC)V |
| 工作温度范围 Temperature compensated | 0~40℃ |
| 安全过载 Safe overload | 150%F.S |