

# KG-5

## 特殊用传感器

Spoke style / Shearing beam /  
Bridge style Load Cell

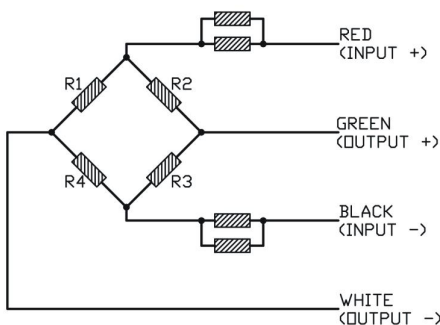
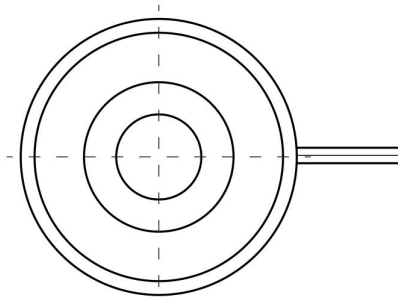
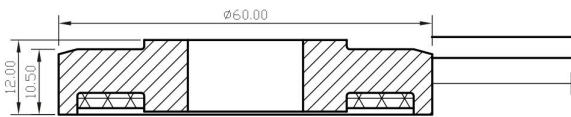
材质: 合金钢

Materials: Alloy Steel

KG-5型采用合金钢材质，表面化学镍磷镀处理，硅胶密封，Ip67。适用于电子台秤、轨道衡及汽车衡；安装容易，使用方便。

Model KG-5 is constructed using alloy steel material, nickel-phosphorus plating surface chemical treated, silicon rubber seal, Ip67.

Application: Electronic scale, rail track, vehicle scale.



## 主要技术指标 Specifications

量程 Capacity	1/2/3/5T
综合误差 Comprehensive Error	C1
输出灵敏度 Output Sensitivity	1.0±0.2mV/V
非线性 Nonlinearity	±0.1%F.S
重复性 Repeatability	±0.1%F.S
滞后性 Hysteresis	±0.1%F.S
蠕变 Creep	±0.1(20min)F.S
零点温度漂移 Temperature effect on Zero	≤±0.2%F.S/10°C
额定输出温度漂移 Temperature effect on Output	≤±0.1%F.S/10°C
零点输出 Zero Output	±0.04mV/V
输入电阻 Input resistance	2000±100Ω
输出电阻 Output resistance	2000±2Ω
绝缘电阻 Insulation Resistance	≥2000MΩ/100VDC
推荐激励电压 Excitation Voltage	5~10 (DC) V
工作温度范围 Temperature compensated	0-40°C
安全过载 Safe overload	150%F.S