



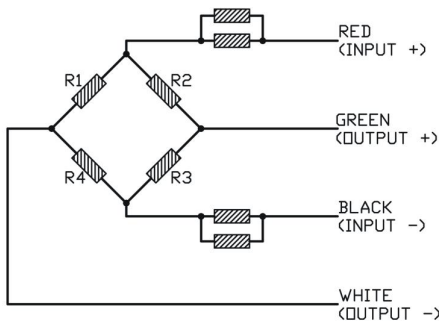
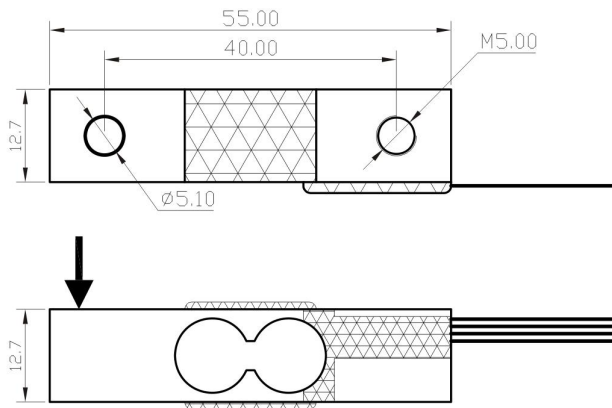
FAB-4

平行梁式称重传感器
Parallel Beam Load Cell

材质： 铝合金
Materials: Aluminum alloy

FAB-4型采用铝合金材质，无色阳极氧化处理，硅胶密封，Ip65。适用于厨房秤及计数秤。

Model FAB-4 is constructed using aluminum alloy material, colorless anodized, silicon rubber seal, Ip65.
Application: Kitchen scale and counting scale.



主要技术指标 Specifications

量程 Capacity	2/3/5/6KG
综合误差 Comprehensive Error	C2
输出灵敏度 Output Sensitivity	1.0±0.1mV/V
非线性 Nonlinearity	±0.05%F.S
重复性 Repeatability	±0.05%F.S
滞后性 Hysteresis	±0.05%F.S
蠕变 Creep	±0.05%(5min)F.S
零点温度漂移 Temperature effect on Zero	≤±0.1%F.S/10°C
额定输出温度漂移 Temperature effect on Output	≤±0.05%F.S/10°C
零点输出 Zero Output	±0.1mV/V
输入电阻 Input resistance	1050±50Ω
输出电阻 Output resistance	1000±10Ω
绝缘电阻 Insulation Resistance	≥2000MΩ/100VDC
推荐激励电压 Excitation Voltage	5~10 (DC) V
工作温度范围 Temperature compensated	0~40°C
安全过载 Safe overload	150%F.S