

FAK-3

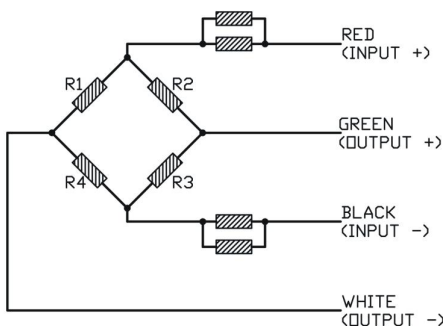
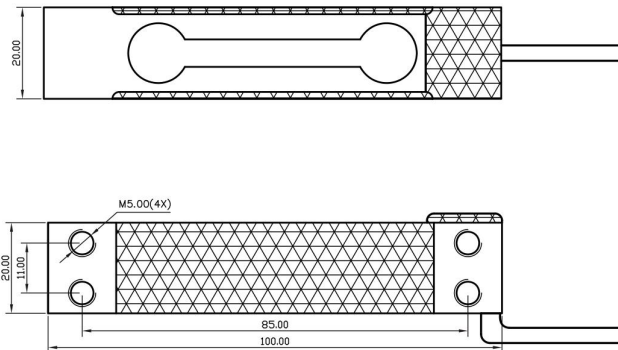
平行梁式称重传感器
Parallel Beam Load Cell

材质： 铝合金
Materials: Aluminum alloy

FAK-3型采用铝合金材质，无色阳极氧化处理，硅胶密封，Ip65。适用于计价秤、计重秤及计数秤。

Model FAK-3 is constructed using aluminum alloy material, colorless anodized, silicon rubber seal, Ip65.

Application: Pricing scale, weighing scales and counting scales.



主要技术指标 Specifications

| | |
|--|------------------|
| 量程 Capacity | 6/10/15/20KG |
| 综合误差 Comprehensive Error | C3 |
| 输出灵敏度 Output Sensitivity | 2.0±0.2mV/V |
| 非线性 Nonlinearity | ±0.02%F.S |
| 重复性 Repeatability | ±0.02%F.S |
| 滞后性 Hysteresis | ±0.02%F.S |
| 蠕变 Creep | ±0.02%(20min)F.S |
| 零点温度漂移 Temperature effect on Zero | ≤±0.02%F.S/10°C |
| 额定输出温度漂移 Temperature effect on Output | ≤±0.02%F.S/10°C |
| 零点输出 Zero Output | ±0.04mV/V |
| 输入电阻 Input resistance | 405±10Ω |
| 输出电阻 Output resistance | 350±2Ω |
| 绝缘电阻 Insulation Resistance | ≥2000MΩ/100VDC |
| 推荐激励电压 Excitation Voltage | 5~10(DC)V |
| 工作温度范围 Temperature compensated | 0~40°C |
| 安全过载 Safe overload | 150%F.S |