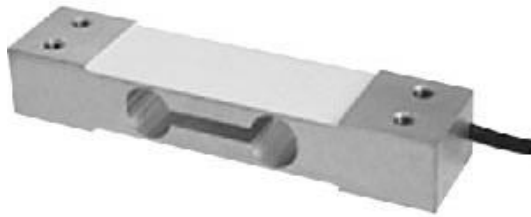


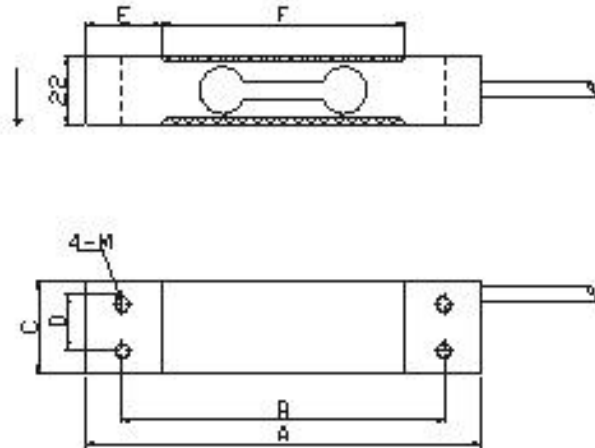
Load Cell Model FAK-130

Price computing scale sensors

Appearance



Outline



Specifications

Comprehensive Error		0.02	
Output Sensitivity	(mV/V)	2.0±0.1	
Nonlinearity	(%F.S)	±0.02	
Repeatability	(%F.S)	±0.01	
Hysteresis	(%F.S)	±0.02	
Creep	(%F.S/30min)	±0.02	
Temp. Effect on Zero	(%F.S/10°C)	±0.02	
Temp. Effect on Output	(%F.S/10°C)	±0.02	
Zero Output	(%F.S)	±2	
Input Resistance	(Ω)	410±10	1100±80
Output Resistance	(Ω)	350±3	1100±5
Insulation Resistance	(MΩ)	≥5000	
Excitation Voltage	(V)	5 (FAK-130-1)	15 (FAK-130-2)
Operation Temp Range	(°C)	-10—+50	-20—+60
Overload Capacity	(%F.S)	150	
Capacity	(kg)	1—3,6—20,25—35,50--250	
Material		Aluminum alloy	
Protection		IP65	
Recommended Applications		Price computing scale sensor	

Note: All Specifications Subject To Change Without Notice & Custom-made Products Are Available.