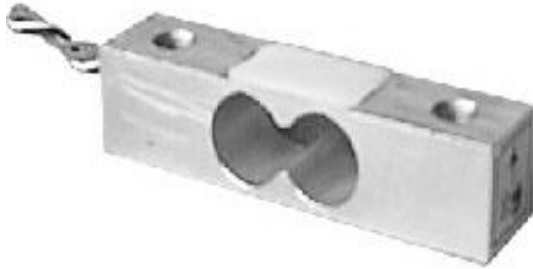
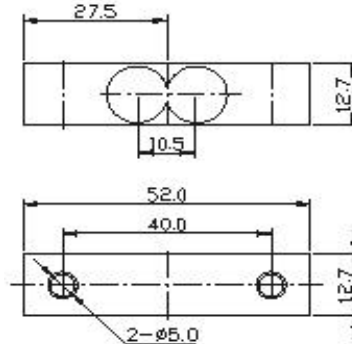


## Load Cell Model FAB--52

**Material: Alumium**



**Outline:**



Capacity:  
2, 3, 5, 10 Kg

### Specifications

Comprehensive Error	0.03 (FAB—52-1)	0.02 (FAB—52-2)
Output Sensitivity (mV/V)	1.0±0.05	0.8±0.15
Nonlinearity (%F.S)	0.02	0.05
Repeatability (%F.S)	0.02	0.05
Hysteresis (%F.S)	0.02	0.05
Creep (%F.S/3min)	0.03	0.05
ZeroDrift (%F.S/1min)	0.03	0.05
Temp.Effect on Zero (%F.S/10°C)	≤0.1	≤0.1
Temp.Effect on Output(%F.S/10°C)	≤0.03	≤0.05
Zero Output (%F.S)	±0.1	
Input Resistance (Ω)	1050±50	
Output Resistance (Ω)	1000±10	
Insulation Resistance (MΩ)	≥5000	
Excitation Voltage (V)	≤10	
OperationTempRange (°C)	0--+50	
OverloadCapacity (%F.S)	150	
Capacity (kg)	2,3,5,10	
Material	Aluminum alloy	
Protection	IP65	
Recommended Applications	Food scale sensor	

Note:All Specifications Subject To Change Without Notice & Custom-made Products Are Available.