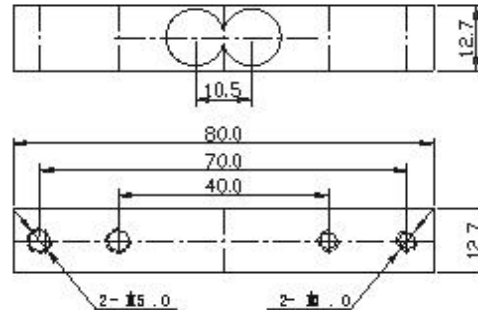


Load Cell Model FAB--80

Material: Aluminum

Outline:



Capacity:
0.5, 0.6, 1, 2, 3, 5Kg

Specifications

Comprehensive Error		0.03 (FAB-80-1)	0.02 (FAB-80-2)
Output Sensitivity	(mV/V)	1.0 ± 0.05	0.8 ± 0.15
Nonlinearity	(%F.S)	± 0.03	± 0.02
Repeatability	(%F.S)	± 0.03	± 0.02
Hysteresis	(%F.S)	± 0.03	± 0.02
Creep	(%F.S/3min)	± 0.03	± 0.02
ZeroDrift	(%F.S/1min)	± 0.03	± 0.02
Temp. Effect on Zero	(%F.S/10°C)	≤ 0.2	≤ 0.1
Temp. Effect on Output	(%F.S/10°C)	≤ 0.03	≤ 0.02
Zero Output	(%F.S)	± 0.2	
Input Resistance	(Ω)	350 ± 50	1050 ± 50
Output Resistance	(Ω)	350 ± 50	1000 ± 10
Insulation Resistance	(MΩ)	≥ 2000	
Excitation Voltage	(V)	≤ 6	≤ 12
Operation Temp Range	(°C)	0--+50	
Overload Capacity	(%F.S)	150	
Capacity	(kg)	0.5, 0.6, 1, 2, 3, 5	
Material		Aluminum alloy	
Protection		IP65	
Recommended Applications		Food scale sensor	

Note: All Specifications Subject To Change Without Notice & Custom-made Products Are Available.